



Kenilworth Bathrooms  
50 The Square  
Warwick Road  
Kenilworth  
CV8 1EB

*Spring 2024*

**A One Stop High Quality  
Bathroom Renovation Service**

**Tel 07980 50 4000**

*Website*



*YouTube*

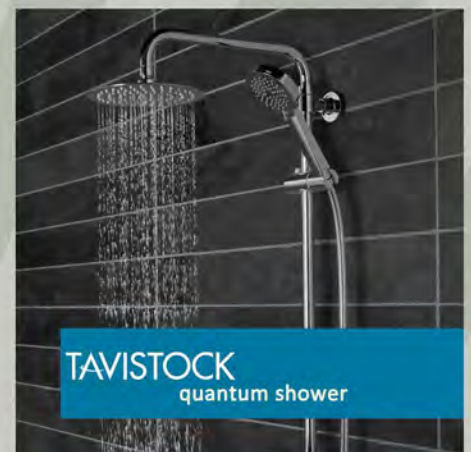


**www.kenilworthbathrooms.co.uk  
info@kenilworthbathrooms.co.uk**

# BATHROOM OFFER

Includes Straight, P shaped or Shower bath. Choose from any floor standing vanity basin in any colour.

Only  
**£7850**



*Offer includes removing old suite and tiles.  
Supplying and fitting bathroom suite, taps, shower,  
towel warmer, wall and floor tiles up to 18sqm  
Price for Room size (w)2m x (l)1.7m by (h)2.4m  
All plumbing, labour & tiling. Removal of all waste materials.*

*Products and price may change without notice. Check online or in store for up to date price and product information.*

# How we price bathrooms

Provide the length, width and height of your bathroom and we will be able to price you instantly. We do this as pricing bathrooms is easy. A bathroom renovation price is based on size. Size dictates the time it will take to renovate the bathroom and the materials needed to do so.



## Options within the price

You get to choose from a large selection of products all at exactly the same price.

Any Close Coupled Toilet

Any Floor Standing Vanity Basin

Any Basin Tap and Bath Filler Tap

Any Porcelain or Ceramic Wall and Floor Tile

\*(Excluding Metro tiles)

## Bathroom price list

2.0m by 1.7m - Perimeter 7.4m	£	7,850.00
2.1m by 1.7m - Perimeter 7.6m	£	8,000.00
2.2m by 1.7m - Perimeter 7.8m	£	8,150.00
2.3m by 1.7m - Perimeter 8.0m	£	8,300.00
2.4m by 1.7m - Perimeter 8.2m	£	8,500.00
2.4m by 1.8m - Perimeter 8.4m	£	8,750.00
2.4m by 2.0m - Perimeter 8.8m	£	9,000.00
2.5m by 2.0m - Perimeter 9.0m	£	9,300.00
2.6m by 2.0m - Perimeter 9.2m	£	9,600.00
2.7m by 2.0m - Perimeter 9.4m	£	9,900.00
2.8m by 2.0m - Perimeter 9.6m	£	10,250.00
2.9m by 2.0m - Perimeter 9.8m	£	10,600.00
3m by 2.0m - Perimeter 10m	£	10,950.00
3.1m by 2.0m - Perimeter 10.2m	£	11,300.00
Bathroom with Bath and separate Shower enclosure add	£	1,500.00

# SHOWER SOLUTION'S

Includes Walk in, Quadrant, Recessed, Sliding or Hinged shower enclosure. Choose any floor standing vanity basin

Only  
£7850



*Offer includes removing old suite and tiles  
Supplying and fitting bathroom suite, taps, shower,  
towel warmer, wall and floor tiles up to 18sqm  
Price for room size (w)2m x (d)1.7m by (h)2.4m  
All plumbing, labour & tiling. Removal of all waste materials.*

*Products and price may change without notice. Check online or in store for up to date price and product information.*

# The shower enclosure

The bathroom to shower room conversion is for a quadrant, off set quadrant shower enclosure or a walk in shower. A quadrant can measure up to 800mm by 1200mm. The walk in shower can measure up to 1700mm by 800mm. Many other sizes available and included

The quadrant shower enclosure is 8mm glass as standard.

The walk in shower is 8mm glass as standard

The enclosure is a double door enclosure.

---

## Options within the price

You get to choose from a large selection of products all at exactly same price.

Walk in Shower

Quadrant Shower

Low Level Stone Resin Shower Tray

Any Close Coupled Toilet

Any Vanity Basin

Any Basin Tap

Any Porcelain or Ceramic Wall and Floor Tile

\*(Excluding Metro tiles)

---

## Shower types included



Shower Enclosure



Walk In Shower



Quadrant Shower

# Design to Install

From measuring your bathroom, designing your new bathroom or shower room and providing a free no obligation quotation. Arranging the bathroom products, tiles, skip, parts. Finally fitting, plumbing and tiling your bathroom or shower room.



Kenilworth Bathrooms is a one stop shop.

---

## Waste Materials

A skip will be onsite and all waste will be correctly disposed of or recycled.



---

## Carpet Protection

We cover the walk ways between the entrance of the home to the bathroom, including the stairs with a plastic carpet protector. It protects the carpet from dust and dirt. When we have completed the bathroom, we remove the carpet protector and vacuum the area.



---

## 10 Days to refit a Bathroom

Normally it takes 10 days to refit a standard sized bathroom upto a size of 2.4m by 1.7m. In some instances it may take longer, though we will do all that we can to complete the bathroom in the quickest possible time. If the bathroom is larger it may take longer for the work to be completed.





**Trojan Granada II Twin Grip**  
Comes complete with a twin grip.



**J Shape Bath & Panel**  
Specification  
Left or Right  
Size 1700mm by 750mm



**Double Ended Bath**  
Specification  
Length : 1600mm, 1700mm  
Width : 700mm, 750mm



**Single Ended Bath**  
Specification  
Length : 1500mm, 1600m, 1700mm  
Width : 700mm or 750mm



**Evolve Shower Bath**  
Specification  
Length :1700mm  
Width : 750mm



**P Shaped Shower Bath**  
Specification  
Length :1600mm,1700mm  
Width: 800mm or 850mm  
End width : 700mm or 750,,

Choose a back to wall toilet pan when selecting a vanity toilet or a Match unit, Courier unit or fitted furniture. A choice of a back to wall toilet pan is included in the price when fitted or vanity furniture is selected.



Included with Furniture

Structure Back to Wall WC Pan



Included with Furniture

Lansdown Back to Wall WC Pan



Included with Furniture

Micra Evo Back to Wall WC Pan



Included with Furniture

Loft Back to Wall Pan



Included with Furniture

Orbit Back to Wall Pan



Included with Furniture

Vitoria Back to Wall Pan

Comfort height pans sit higher than your average toilet, meaning there is less pressure on the knees and other lower body joints making it extra comfy to use and easier to rise from the toilet.



Included with Furniture

Loft Comfort height Back to Wall Pan



Included with Furniture

Structure Comfort Height Back to Wall Pan



Included with Furniture

Ariel Comfort Height Back to Wall Pan



Comfort height pans sit higher than your average toilet, meaning there is less pressure on the knees and other lower body joints making it extra comfy to use and easier to rise from the toilet.



Aerial Comfort Height  
Close Coupled



Structure Standard or  
Comfort Height



Lansdown Short  
Projection  
Standard Height



Loft Close Coupled  
Standard or  
Comfort Height



Vibe  
Close Coupled  
Standard Height



Vitoria  
Close Coupled



Micra Evo Close  
Coupled  
Standard Height



Ion  
Close Coupled



Orbit Fully Enclosed  
Close Coupled  
Standard or  
Comfort Height

# TAVISTOCK

inspiring bathrooms

Choose a semi-countertop basin to be fitted with fitted furniture when a worktop is used. Can only be used with fitted furniture. A choice of basin is included in the price when fitted furniture is selected.



Included  
with  
Furniture

Lansdown 2 Tap Hole  
490(w) x 140(h) x  
420(d)mm



Included  
with  
Furniture

Lansdown 1 Tap Hole  
490(w) x 140(h) x  
420(d)mm



Included  
with  
Furniture

Q60  
standard depth  
Size: 515(w) x 160(h) x  
430(d)mm



Included  
with  
Furniture

Loft / Micro Evo  
Size: 475(w) x 150(h) x  
420(d)mm



Included  
with  
Furniture

Aerial  
560(w) x 155(h) x  
430(d)mm



Included  
with  
Furniture

Structure 550mm  
Standard Depth Basin  
Size: 550(w) x 170(h) x  
430(d)mm



Included  
with  
Furniture

Vibe 550mm  
Semi-Countertop Basin  
Size: 550(w) x  
430(d)mm



Included  
with  
Furniture

Vitoria basin - 1 tap hole  
Size: 550(w) x 190(h) x  
440(d)mm



Included  
with  
Furniture

Vitoria basin - 2 tap hole  
Size: 550(w) x 190(h) x  
440(d)mm

As the key element of your bathroom design, we ensure that our sanitaryware and WCs are of the highest quality while offering a wide range of styles to suit all tastes.



Orbit 550mm  
Pedestal Basin



Structure 550  
Pedestal Basin



Vide 460mm  
Pedestal Basin



Vibe 550mm  
Pedestal Basin



Micra 565mm  
Pedestal Basin



Vitoria 550mm  
Round 1 Tap Hole



Vitoria 550mm  
Round 2 Tap Hole



Vitoria 605mm  
1 Tap Hole



Vitoria 605  
2 Tap Hole

# TAVISTOCK

inspiring bathrooms



## Signal Basin Mixer Tap



Minimum recommended bar pressure 0.3bar  
Low pressure  
Lever action  
Ceramic cartridge technology  
10 year guarantee



## Signal Bath Filler



Minimum recommended bar pressure 0.3bar  
Low pressure  
Lever action  
Ceramic cartridge technology  
10 year guarantee

## Signal Bath Shower Mixer



## Haze Basin Mixer Tap



Minimum recommended bar pressure 0.2bar  
Low pressure  
Lever action  
Ceramic cartridge technology  
10 year guarantee



## Haze Bath Filler



Minimum recommended bar pressure 0.1bar  
Low pressure  
Lever action  
Ceramic cartridge technology  
10 year guarantee



# TAVISTOCK

inspiring bathrooms



## Revive Basin Mixer Tap

Low pressure  
Lever action  
Ceramic cartridge  
technology  
10 year guarantee



Included  
in Price

## Revive Bath Filler

Low pressure  
Lever action  
Ceramic cartridge  
technology  
10 year guarantee



## Revive Bath Shower Mixer



Add  
£50



## Blaze Bath Shower Mixer

Add  
£50



Included  
in Price

## Blaze Basin Mixer Tap

Minimum recommended  
bar pressure 0.2 bar  
Low pressure  
Lever action  
Ceramic cartridge  
technology  
10 year guarantee



## Blaze Bath Filler

Minimum recommended  
bar pressure 0.2 bar  
Low pressure  
Lever action  
Ceramic cartridge  
technology  
10 year guarantee



# TAVISTOCK

inspiring bathrooms



### Siren Basin Mixer Tap



Minimum recommended bar pressure 0.2bar  
Low pressure  
Lever action  
Ceramic cartridge technology  
10 year guarantee

Included in Price

### Siren Bath Mixer Tap



Minimum recommended bar pressure 0.2bar  
Low pressure  
Lever action  
Ceramic cartridge technology  
10 year guarantee

### Avid Bath Shower Mixer



Minimum recommended bar pressure 0.3 bar  
Low pressure  
Lever action  
Ceramic cartridge technology  
10 year guarantee

Add £50

### Siren Bath Shower Mixer



Minimum recommended bar pressure 0.3 bar  
Low pressure  
Lever action  
Ceramic cartridge technology  
10 year guarantee

Add £50



### Avid Basin Mixer Tap



Minimum recommended bar pressure 0.3 bar  
Low pressure  
Lever action  
Ceramic cartridge technology  
10 year guarantee

Included in Price

### Avid Bath Mixer Tap



Minimum recommended bar pressure 0.3bar  
Low pressure  
Lever action  
Ceramic cartridge technology  
10 year guarantee

# TAVISTOCK

inspiring bathrooms



Strike Basin Mixer Tap



Minimum recommended bar pressure 0.2bar  
Low pressure  
Lever action  
Ceramic cartridge technology  
10 year guarantee

Included in Price

Strike Bath Mixer Tap



Minimum recommended bar pressure 0.2bar  
Low pressure  
Lever action  
Ceramic cartridge technology  
10 year guarantee



Tier Basin Mixer Tap



Minimum recommended bar pressure 0.3bar  
Low pressure  
Lever action  
Ceramic cartridge technology  
10 year guarantee

Included in Price

Tier Bath Mixer Tap



Minimum recommended bar pressure 0.3bar  
Low pressure  
Lever action  
Ceramic cartridge technology  
10 year guarantee

Kinetic Basin Filler



Included in Price

Kinetic Bath Filler



Minimum recommended bar pressure 0.1bar  
Low pressure  
Lever action  
Ceramic cartridge technology  
10 year guarantee

# TAVISTOCK

inspiring bathrooms



## Marston Basin Mixer



Minimum recommended bar pressure 0.2bar  
Low pressure  
Lever action  
Ceramic cartridge technology  
10 year guarantee

Included in Price

## Marston Basin Hot and Cold Taps



Minimum recommended bar pressure 0.2bar  
Low pressure  
Lever action  
Ceramic cartridge technology  
10 year guarantee



## Marston Mono Basin Mixer



Minimum recommended bar pressure 0.2bar  
Low pressure  
Lever action  
Ceramic cartridge technology  
10 year guarantee

Included in Price

## Marston Bath Filler



Minimum recommended bar pressure 0.2bar  
Low pressure  
Lever action  
Ceramic cartridge technology  
10 year guarantee



## Marston Bath Shower Mixer and Handset



Minimum recommended bar pressure 0.2bar  
Low pressure  
Lever action  
Ceramic cartridge technology  
10 year guarantee

Add £50



# TAVISTOCK

inspiring bathrooms



## Ashmore Basin Mixer



Low pressure  
Lever action  
Ceramic cartridge  
technology  
10 year guarantee

Included  
in Price

## Ashmore Hot and Cold Basin Taps



Low pressure  
Lever action  
Ceramic cartridge  
technology  
10 year guarantee

## Ashmore Bath Filler



Minimum recommended  
bar pressure 0.2 bar  
Low pressure  
Lever action  
Ceramic cartridge  
technology  
10 year guarantee

Included  
in Price

## Ashmore Bath Shower Mixer



Minimum recommended  
bar pressure 0.2 bar  
Low pressure  
Lever action  
Ceramic cartridge  
technology  
10 year guarantee

Add  
£50

## Savour Basin Mixer



Included  
in Price

## Savour Deck Mounted Bath Filler



Minimum recommended  
bar pressure 0.2 bar  
Low pressure  
Lever action  
Ceramic cartridge  
technology  
10 year guarantee

# TAVISTOCK

inspiring bathrooms



## Anthem Basin Mixer



Minimum recommended bar pressure 0.2bar  
Low pressure  
Lever action  
Ceramic cartridge technology  
10 year guarantee

## Anthem Deck Mounted Bath Filler



Minimum recommended bar pressure 0.2bar  
Low pressure  
Lever action  
Ceramic cartridge technology  
10 year guarantee



## Zero Basin Mixer



Minimum recommended bar pressure 0.3 bar  
Low pressure  
Lever action  
Ceramic cartridge technology  
10 year guarantee

## Zero Bath Filler



Minimum recommended bar pressure 0.3bar  
Low pressure  
Lever action  
Ceramic cartridge technology  
10 year guarantee

## Adapt Basin Mixer Tap



## Adapt Bath Filler



Minimum recommended bar pressure 0.3 bar  
Low pressure  
Lever action  
Ceramic cartridge technology  
10 year guarantee

# TAVISTOCK

inspiring bathrooms



## Cheltenham Basin Filler



Minimum recommended bar pressure 0.2bar  
 Low pressure  
 Lever action  
 Ceramic cartridge technology  
 10 year guarantee

**Included in Price**

## Cheltenham Hot and Cold Basin Tap



Minimum recommended bar pressure 0.2bar  
 Low pressure  
 Lever action  
 Ceramic cartridge technology  
 10 year guarantee



## Cheltenham Bath Filler



Minimum recommended bar pressure 0.3bar  
 Low pressure  
 Lever action  
 Ceramic cartridge technology  
 10 year guarantee

**Included in Price**

## Cheltenham Bath Shower Mixer



**Add £50**

## Varsity Basin Taps



**Included in Price**

## Varsity Mixer Basin Tap



## Varsity Bath Filler

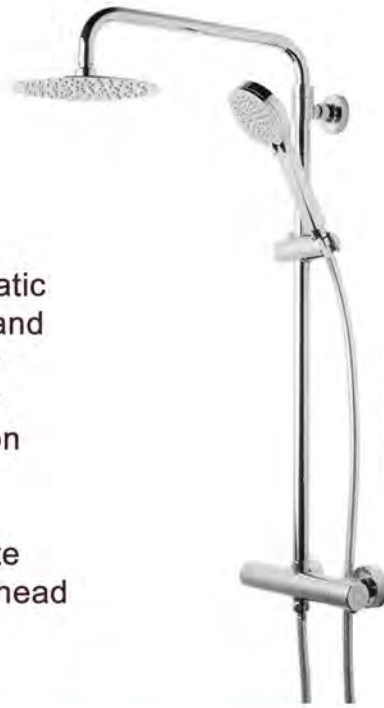


# TAVISTOCK

inspiring bathrooms

The Quantum thermostatic diverter bar valve shower system is packed with useful features including automatic shut down if cold water pressure should suddenly fail and anti-scald thermostatic control for safe showering. The system has been designed to include built in limescale resistance and also comes with an easy fit compression fixing kit for quick and easy installation.

The diverter bar valve allows for control of two separate shower accessories. In this instance the fixed shower head and the multi-function handset.



Included  
in Price

## Index Cool Touch Thermostatic Shower

A convenient, out-of-the-box complete shower kit ready to install. Automatic shut down if cold water pressure should suddenly fail.



Included  
in Price

Min recommended pressure 1.0bar  
High quality brass components.

## Varsity Thermostatic Exposed Dual Function Shower

The stunning Varsity shower captures a bygone era with its traditionally styled handles and curves.



Add  
£450

The exposed dual function diverter allows for control of two separate shower accessories. In this instance the fixed shower head and the single function handset.

# AQUALISA

The Home of smart showering



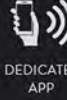
WIFI  
ENABLED



VOICE  
ACTIVATION



USAGE  
DASHBOARD



DEDICATED  
APP



SMART  
BATHING

[FIND OUT MORE](#)



## Aqualisa Lumi Electric Shower

Available in 9.5kW and 10.5kW

With single adjustable shower head

5 spray patterns

Available in: Chrome or Chrome/White

**Add  
£300**

A 10mm cable must be in place for this shower to be fitted. We can arrange at an extra cost for the cable to be fitted.

## Aqualisa Vlsage Digital Shower



**Add  
£700**

Choice of gravity fed or high pressure water systems.

## Aqualisa Optic Q Smart Shower



**Add  
£900**

Experience indulgent showering with Aqualisa's most personal shower. Enjoy the choice of pre-set shower programmes and the capability to select individual shower settings for the whole family, the stylish Optic Q is modern showering personified.

# TAVISTOCK

inspiring bathrooms



## Sequence 450mm Freestanding Unit



### 450mm Unit Size

Width : 460mm  
Height : 850mm  
Depth : 290mm



The compact nature of this super sleek 450mm unit makes it an ideal solution for smaller bathrooms, cloakrooms or en suites.

This cloakroom unit features a soft close door and is completed with a chrome handle.

## COLOURS AVAILABLE

### AVAILABLE FINISHES



## Compass 450mm 500mm & 600mm Freestanding Unit



Compass has smooth curved edges and a luxuriously deep ceramic basin that's sure to impress, whilst the extra thick doors and robust construction show it is built to last.

**A standard layout bathroom with basin, toilet and bath (walk in shower) would need to be 190cm or wider to accommodate a vanity basin unit 50cm wide. The 60cm unit would need a bathroom 210cm wide.**



### Colours Available

Gloss White  
Gloss Clay  
Gloss Light Grey  
Oxford Blue



### 450mm Unit Size

Width : 455mm  
Height : 860mm  
Depth : 285mm



### 500mm Unit Size

Width : 505mm  
Height : 870mm  
Depth : 420mm



### 600mm Unit Size

Width : 600mm  
Height : 870mm  
Depth : 475mm

# TAVISTOCK

inspiring bathrooms

## Acumen 500mm Freestanding Unit



Included  
in Price

### Unit Size

Width : 500mm  
Height : 860mm  
Depth : 390mm

**A standard layout bathroom with basin, toilet and bath (walk in shower) would need to be 190cm or wider to accommodate a vanity basin unit 50cm wide and 210cm for a 60cm vanity basin.**

This floormounted unit features a 2 door cabinet with a top fascia drawer. The design of Acumen with its low plinth allows for maximum space and storage capabilities.

## Acument 800mm

## Wall Mounted

## Acumen 600 Freestanding Unit



Add  
£200



Add  
£250



Included  
in Price



## Cadence

Designed to offer you complete design flexibility, our Cadence collection is customisable, allowing you to create a configuration as unique as your home. Choose your unit size, select your choice of basin & pick from an array of contemporary finishes & coordinating handles.

### Colours Available

- Gloss Light Grey
- Gloss White
- Tundra Wood
- Oxford Blue

### Unit Size

Width : 500mm  
Height : 830mm  
Depth : 420mm

Add  
£350



Add  
£350



Add  
£650

## Drawer Storage Solutions



Add  
£650



# TAVISTOCK

inspiring bathrooms



## Marston 500mm and 600mm Floor Mounted Vanity Basin



### Unit Size

Width : 600mm  
Height : 860mm  
Depth : 475mm

Width : 500mm  
Height : 860mm  
Depth : 435mm

**A standard layout bathroom with basin, toilet and bath (walk in shower) would need to be 190cm or wider to accommodate a vanity basin unit 50cm wide and 210cm for a 60cm vanity basin.**

## Marston Cloakroom



### Unit Size

Width : 469mm  
Height : 860mm  
Depth : 289mm

**Perfect for ensuites or smaller bathroom configurations. Available as single tap or 2 tap hole cloakroom basin**

## Marston 560 Back to Wall Unit



### Unit Size

Width : 568mm  
Height : 860mm  
Depth : 233mm



## Marston 460 Single Door Cabinet



Width : 460mm Height : 750mm  
Depth : 130mm

## Marston 600 Double Door Cabinet



Width : 600mm Height : 650mm  
Depth : 130mm



Vitoria Freestanding Unit

Bring back classic style with the Vitoria freestanding bathroom unit.



Specification

Basin Unit: Width : 590mm, Height : 880mm, Depth : 495mm,  
Ceramic Basin: Width : 605mm, Depth : 505mm,

Lansdown 400 Cloakroom Unit



All Lansdown units available in 5 colours.

Matt Dark Grey, Pebble Grey, Linen White, Mineral Blue, Sherwood Green



Lansdown 700 Freestanding Unit

Lansdown 1200mm Double Basin

Back To Wall WC



## Courier

Stand alone  
 Combined toilet and basin  
 Fully wall to wall fitted furniture



**Add  
£500**



**Add  
£900**



**Add  
£550**

The Courier range is a clever versatile solution to bathroom storage. With an option of four base unit types to enable a range of bathroom solutions, from wall to wall to freestanding. This sleek collection is the ultimate in streamlined simplicity. Available in wood or white finishes, this versatile range can be used with standard ceramic basins or for a more contemporary look, opt for an isocast basin with integrated worktop.

## COLOURS AVAILABLE



Gloss White



Montana Gloss



Oregon Oak



Havana Oak



### Unit Size

Width : 900mm  
 Depth : 410mm



### Unit Size

Width : 1200mm  
 Depth : 410mm



### Unit Size

Width : 1200mm  
 Depth : 410mm



Slimline laminate worktops are available in two finishes and three sizes. The slate effect worktop has a matt textured finish that perfectly complements the montana gloss units.

### Courier Soft Close Drawer & Doors

Courier doors and drawers are fitted with soft close technology to give controlled and quiet closure.

# TAVISTOCK

inspiring bathrooms

## Match 1000mm & 1200mm Furniture

### Colours Available

Gloss Clay  
Tundra Wood  
Oxford Blue  
Gloss Light Grey  
Viridian Green



**Add  
£400**



### Unit Size

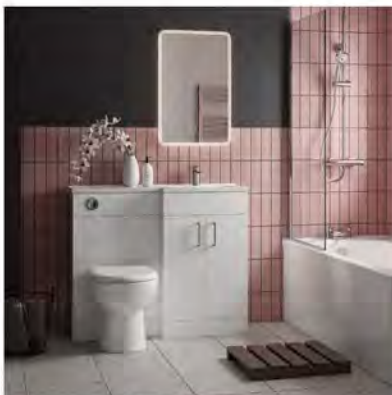
Width : 1000mm or  
1200mm  
Height : 850mm  
Depth : 270mm

Depth will be longer  
with the toilet pan.

All Tavistock furniture  
is made from the very  
best quality materials  
and manufacturing  
techniques, and such is  
their confidence that  
they can offer a 10  
year guarantee on all  
furniture units.

Match 1000mm is the perfect minimal  
solution for a small space and creates a  
seamlessly contemporary look for your  
bathroom. A compact 500mm basin unit  
is complemented by a 500mm back to  
wall unit, used side by side.

**A standard layout bathroom with toilet  
and bath (walk in shower) would need to  
be 180cm wide or wider to accommodate  
the 1000mm Match unit. It would need to  
be at least 200cm wide to accommodate  
the 1200mm Match unit.**



## Nexus 1000mm, 1100mm 1200mm Furniture

### Colours Available

White  
Urban Grey (Brown)

**Add  
£400**



### Unit Size

Width : 1000mm,  
1100mm or 1200mm  
Height : 850mm  
Basin Depth : 340mm  
Toilet Depth : 250mm  
Depth will be longer  
with the toilet pan.

The Nexus is ideal for small-space or  
narrow bathrooms, this vanity and WC  
unit combine unit is compact.





**Add  
£300**

## Sleek Single Mirror Door Cabinet with LED Lighting

Sleek cabinets have minimalist styling with side illumination, creating a simple contemporary look. Integrated diffused LED lighting on the sides produces a bright ambient light. Supplied with two adjustable shelves, providing ample storage. Solid, robust aluminium-bodied construction - hard wearing, rust proof and easy to maintain. IP44 rated.

Cabinet size: 490(w) x 650(h) x 136(d)mm

Also available in double door.



**Add  
£500**

## Flex Single Door Illuminated Cabinet

Framed in an illuminated LED band, the Flex cabinet is a meeting of form and function.

Providing ample bathroom storage, Flex comes equipped with infrared sensor, LED lighting, a charging socket and a heated demister pad to prevent steamy mirror surfaces.

Available in three sizes to suit all homes.



**Add  
£350**

## Stride Double Door Cabinet

Stylish and adaptable to almost any bathroom scheme, the Stride cabinet not only provides you with a clear reflection, but offers excellent LED lighting and plenty of storage space for your bathroom. Engineered from a sturdy aluminium that is rust proof and robust enough for the busy bathroom.

Also available in single door.

## Balance Single Mirror Door Cabinet



**Add  
£200**

The Move single mirror door cabinet is a slim depth aluminium cabinet  
Cabinet size: 482(w) x 700(h) x 120(d)mm.

Also available in double door.

## 500mm Illuminated Mirror



**Add  
£240**

With the framed LED lighting the LED mirrors are both functional and stylish, offering bright & practical lighting solutions for all bathrooms.

Also available in 600mm



## Aster 490mm Oval Mirror

A stunning oval illuminated mirror that combines contemporary design innovation with traditional charm. Looks just as fitting above a classic Lansdown unit as it does a modern Cadence vanity. A versatile and practical addition to any bathroom.

Also Available 600mm Circular Mirror

**Add  
£300**



## Aster 400mm Mirror

A petite version of our Aster 1000mm mirror, this illuminated bathroom mirror includes all the same practical features in a compact design ideal for your cloakroom or ensuite bathroom, including dimmable and light temperature changing functions, a heated demister pad and an on/off sensor for your convenience.

Also Available 700mm, 800mm, 1000mm and 1200mm

**Add  
£300**



### Straight

Width : 500mm,  
600mm  
Height : 800mm,  
1200mm, 1600mm

**Included  
in Price**



### Lara Anthracite

Width : 500mm  
Height : 800mm,  
1200mm, 1600mm

**Included  
in Price**



### Lara Chrome

Width : 500mm  
Height : 800mm,  
1200mm, 1600mm

**Included  
in Price**



### Thea Designer White

Width : 500mm  
Height : 800mm  
BTU: 1423

**Included  
in Price**



### Thea Designer Anthracite

Width : 500mm  
Height : 800mm  
BTU: 1423

**Included  
in Price**

### Designer Rad



**Included  
in Price**



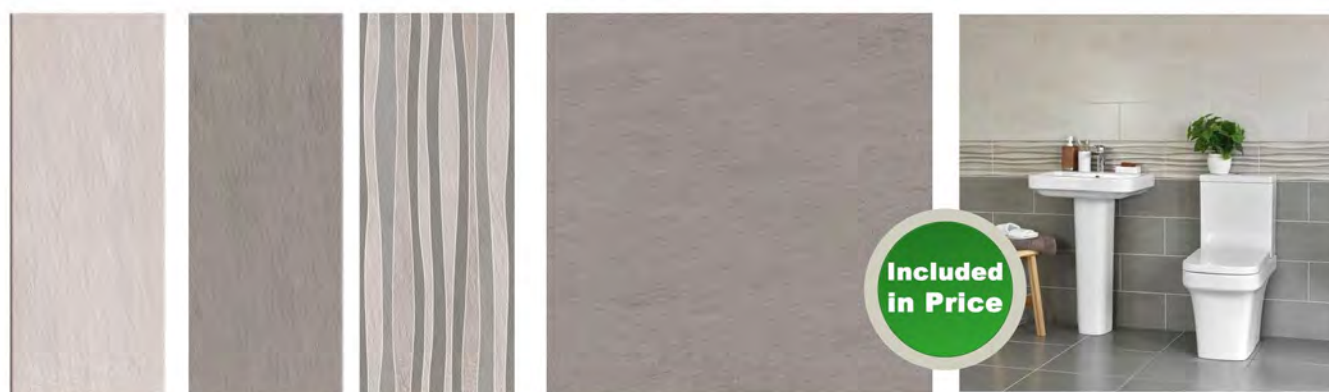
# Tiles on Display in the Showroom

Bathroom quotes include a choice of any floor and wall tile.

## Sunset Wall and Floor Tiles



## Milos Wall and Floor



## Sovereign Floor Tiles



# Safari Wall and Floor Tiles



Safari Crema



Grafito



Perla



Gris

## Wood Effect Tiles



Mumble



Lumber



Spring wood

## Kite Wall and Floor Tiles



## Sahara Wall and Floor Tile



## Materia Polished and Satin Finish



## Belvedere Gloss





## Cipriani Wall and Floor Tiles



Beige



Noce



Noce



Beige



Blanco



Gris



Gris



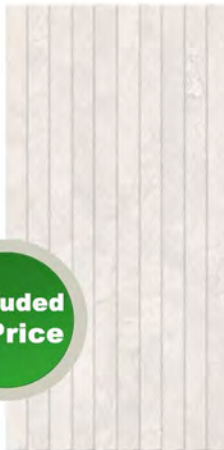
Blanco



## Melrose Himalaya Wall and Floor Tiles



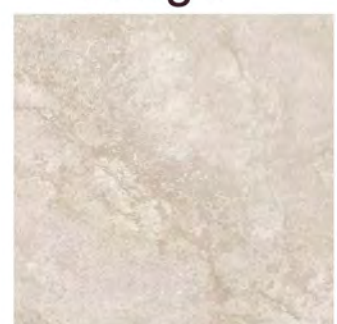
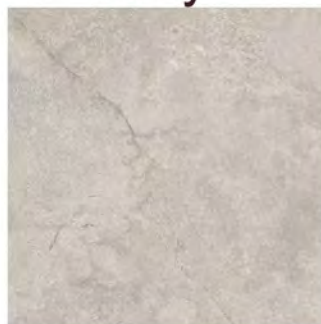
White



Grey



Beige



## Opal Tiles



Various Colours

## Bourton Floor Tiles



Lavanda



Marine



Monochrome



Silver



## Chester Floor Tiles



Grey



Black



## Heritage Pattern Tiles



Mono



Multi



## Autograph Tiles



Brighton Grey



Derby Grey



Durham Grey



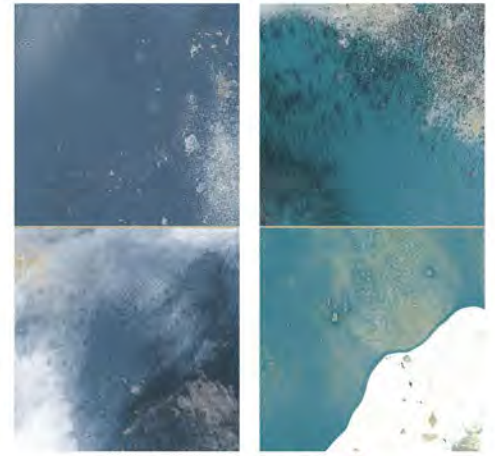
Brighton Blue



## FS Tradition Brick



## Tradition Square



Blue

Green

Silver

White

Blue

Green

## Fs Star Floor Tiles



Blue



Oxide



Sage



Industrial

Included  
in Price

## Vintage Industrial



Divina



Tesoro



Blue



Grey

Included  
in Price

Included  
in Price

## Fs Marrakech

## Fs Roots



Roots 1



Roots 2



Roots 3



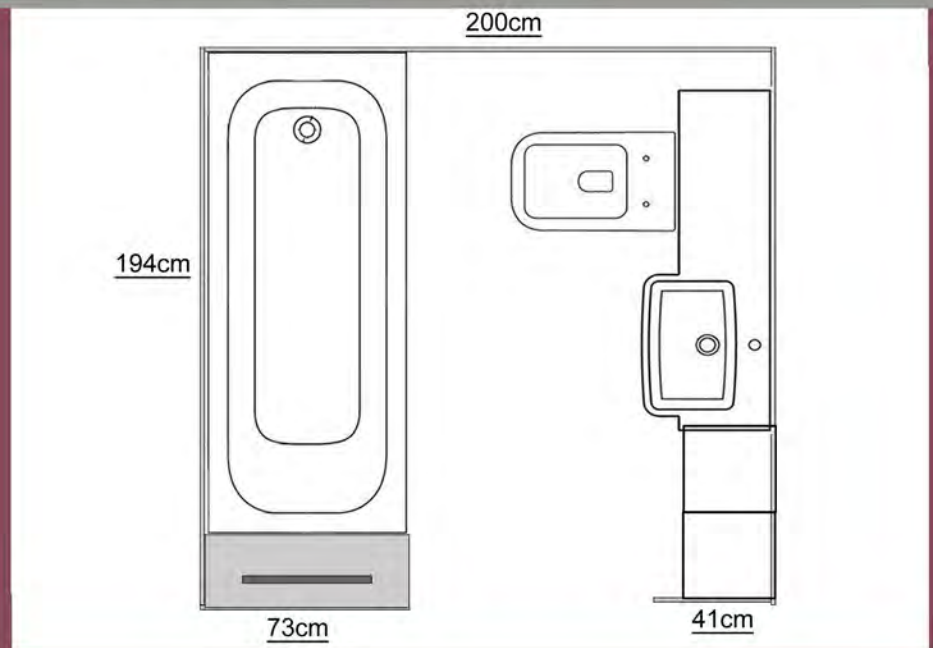
Roots 4

Included  
in Price

# Storage Fitted Furniture

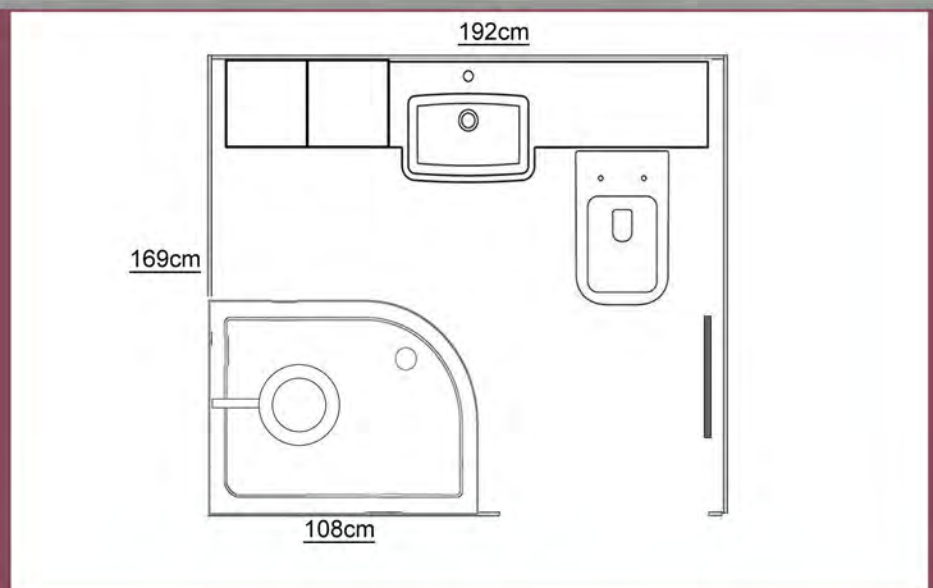
Increase the storage capacity of your bathroom or shower room by adding fitted bathroom furniture. The furniture comes in a range of sizes which will enable us to design and put together a host of cabinets to create the optimal storage while filling any spaces. The diagrams below are taken from a bathroom and shower room that we designed and fitted.

## Bathroom Design



Add  
Storage

## Ensuite Design



# Examples In Legacy Range

**100%  
PREMIUM  
QUALITY  
Guaranteed**

Below are images of bathrooms we  
with Legacy furniture



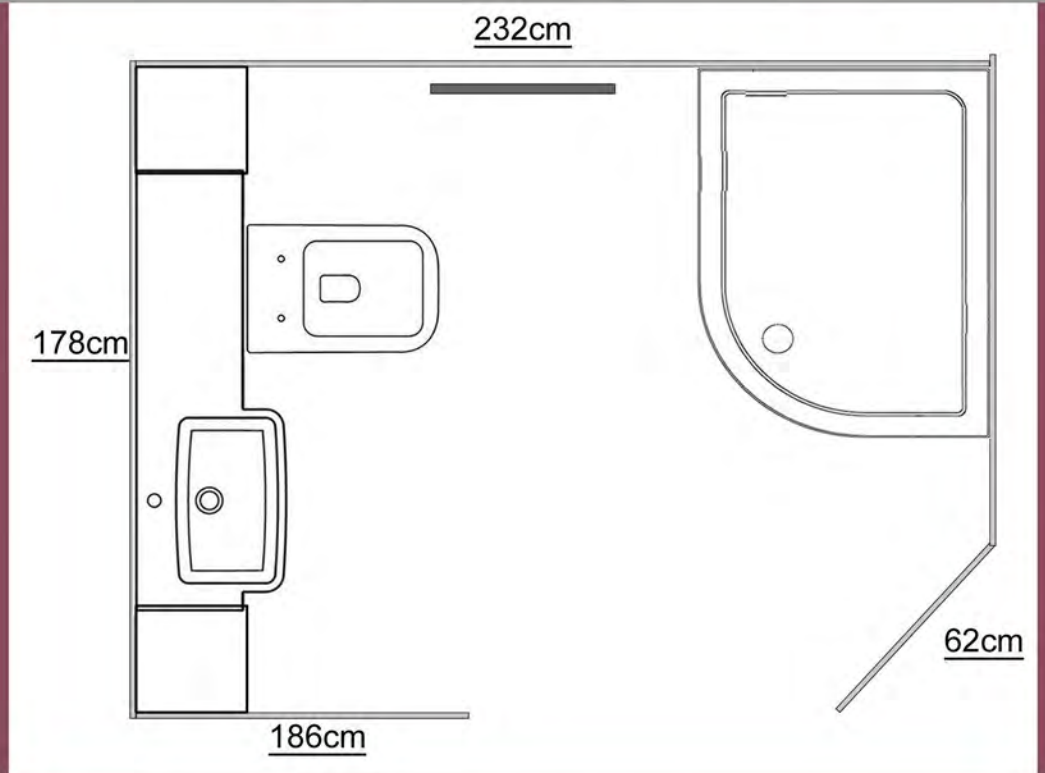
Metro Grey  
Matt Dark Grey  
Flax  
Mineral Blue



# Storage Fitted Furniture

New Shower  
Room Design

Free  
design  
service!



2 units add £1400 -

3 units add £1700 - 4 units add £1900

# Storage Fitted Furniture

Below are images of the shower room after we carried out the work.



# What We Need From You

## *Space to Carry out the Work*

*We need the space to carry out the work. Often your bathroom is too small for us to do all aspects of the work inside the bathroom. In most cases we will need to set up two small work areas. The first area outside your bathroom which is normally the landing and the second area outside your home which is normally close to the skip.*

## *Time and Patience*

*We understand that it can be very inconvenient for your bathroom to be out of action, while having us in your home carrying out the work can be very intrusive. We ask for your patience while the work is being carried out. We ask that you allow us the time that it takes so we can undertake the work correctly, even if the work takes longer than we estimated. We carry out every aspect of the work using the correct protocols, some are very time consuming.*

## The Team



*Richard*



*Richard*



*Darren*



*Lee*



*Sean*



*Nic*



# What We Need From You

## *Stopcock*

*The area around the stopcock needs to be clear and accessible. For instance if the stopcock is in a kitchen cupboard, the items in the cupboard must be removed and the cupboard left empty during the work. This will allow us quick access to enable us to isolate the water during the work and in an emergency.*

## *Access and Key*

*We will require a key to enable us to leave site, collect materials and return to site. At certain stages of the work we will need to work between outside your property, skip and your bathroom. During these times we will need to use the area between as a walk way with the access door open. It is important that any young children and pets are in a different part of the house.*

## *Storing Product at your Property*

*Your bathroom products and tiles are delivered to your property at the start of the job. They need to be stored at your property so we are able to access them at all times during the renovation. The items can be stored in a garage, spare bedroom or split into different areas of your home such as hall way, sitting room etc.*

## *Communication*

*If you have any questions or concerns during the work please let us know. We would rather you ask questions or raise your concerns than worry while the work is being carried out.*

# Bathroom Renovation Schedule

## *Day 1 Rip Out*

*The work begins with us putting carpet protector on the walk areas from the entrance to the bathroom. We then decommission and remove the old bathroom suite, wall tiles, floor tiles and all defective areas of plastering which usually involves stripping the bathroom back to bare brick or studded wall. We may remove the ceiling to allow access for wiring and plumbing or if the original ceiling is unrepairable. If the subfloor is rotten or badly damaged we will remove it. We dispose of all rubbish into the skip and clean the site.*

## *Day 2 Rip Out & Set Out*

*We continue with the bathroom rip out. After all elements are removed we can begin to set out the positions of all new fixtures and plan the location of all pipe work and electrical cables.*

## *Day 3 First Fix*

*We replace as much waste pipe back to the soil stack as possible as there is no point fitting a new bathroom to old clogged up waste pipes. Then all hot and cold water supplies can be fixed to the correct locations.*

## *Day 4 Carpentry*

*Repair or fit a new subfloor adding extra floor supports to create the correct strength to allow for floor tiles. Any alterations to stud walls, doors, door frames and architraves can now be carried out. Boarding of the walls and ceiling can begin.*

# Bathroom Renovation Schedule

## *Day 5 Plastering*

*We continue with boarding the walls and ceiling. Then plaster the ceiling and any wall areas that will not be tiled allowing the plaster to dry over the weekend.*

## *Day 6, 7 and 8 Tiling*

*This will include proper preparation of walls and floors as well as setting out tiles to achieve well balanced cuts around windows and doors, and allowing adequate time for adhesives to dry before grouting.*

## *Day 9 and 10 Second Fix*

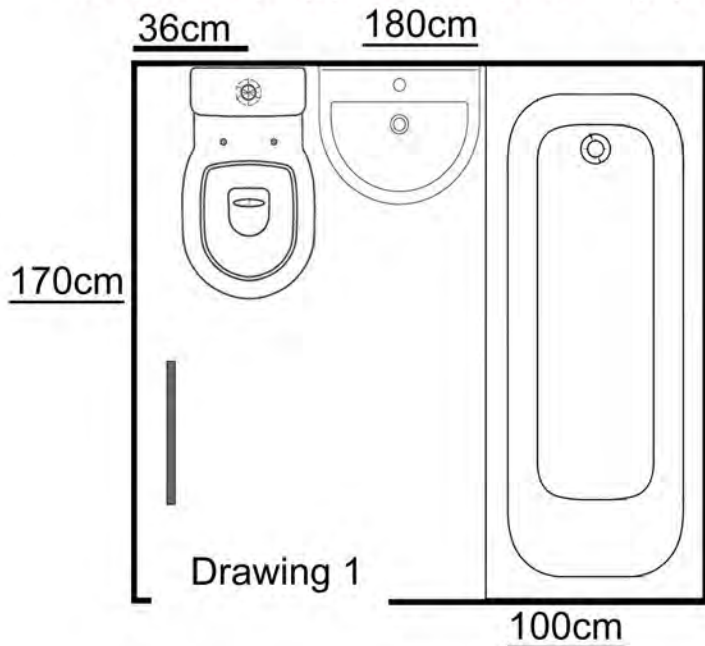
*Bath panels, basins, showers and shower screens are all installed at this stage before everything is tested to ensure correct operation of all products. Towel rails or radiators are fitted and the heating system is balanced when required. Finally after a good clean down, silicone sealant is applied and your new bathroom is complete.*

*Day 11 and 12 in case the work doesn't go to plan.*

*The electrician will normally first fix between days 2 and 4 and second fix between days 9 and 12.*

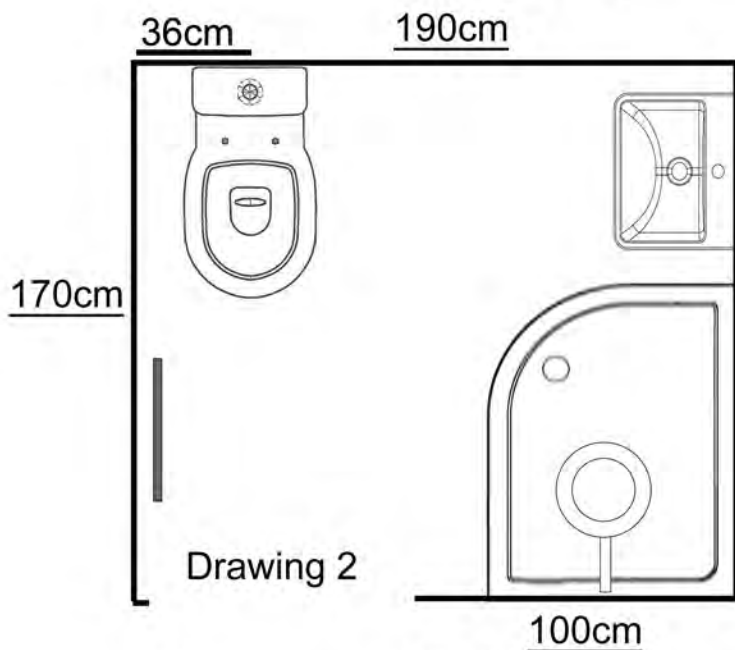
*This is a guide and sets out what work we will carry out. We may carry out the work in a different order or add stages that are not listed here. The reason, every bathroom is different.*

# Convert Bathroom to Shower Room



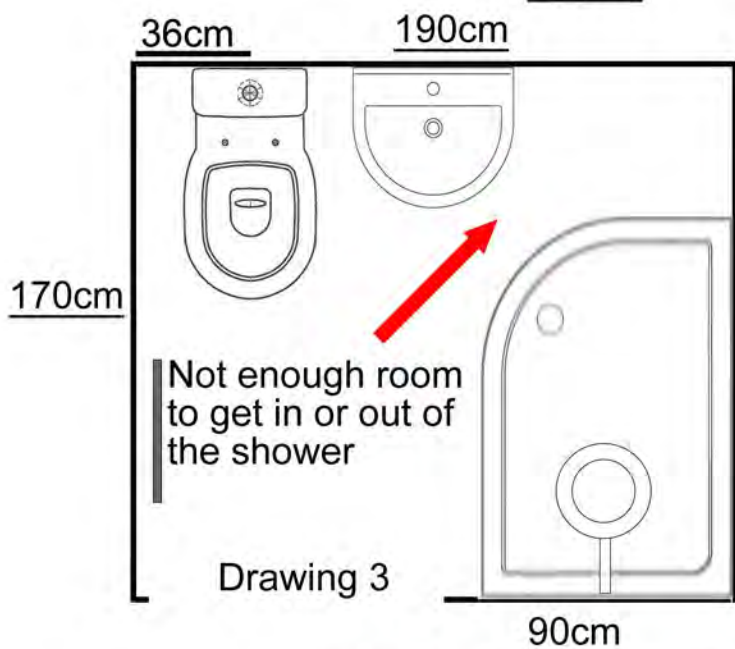
## Normal Bathroom

*This is a standard family bathroom. The size is shown as 190cm wide by 170cm long. The distance between the right hand wall and the door architrave is 100cm. Wall to centre of the toilet is 36cm.*



## Drawing 2 right

*An 80cm by 100cm shower tray is used and the space created at the end of the shower allows the basin to be relocated. A vanity basin no bigger than 50cm can be fitted. Alternatively a pedestal basin could be fitted.*



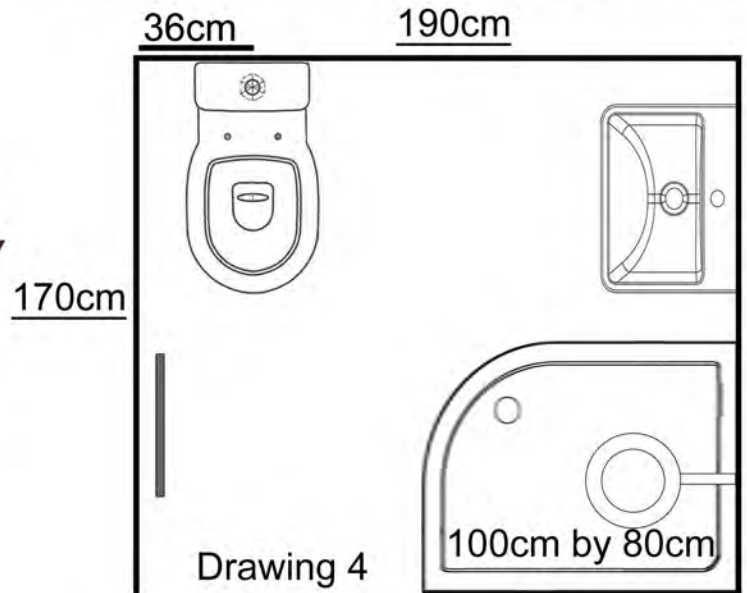
## Drawing 3 right

*An 80cm by 120cm shower tray is used. **There is not enough space to allow the basin to be moved. There is not space to allow access in and out of the shower enclosure.** This shower is too big for this room. A shower up to 100cm fits.*

# Convert Bathroom to Shower Room

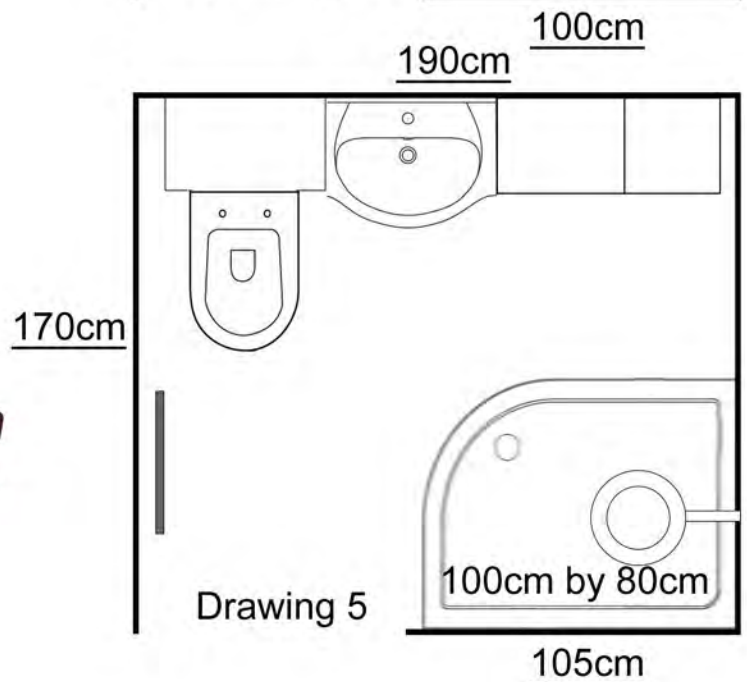
## Drawing 4 right

Using the space between the door and the wall, an 80cm by 100cm shower tray is used creating more space in the basin area. A 50cm or 60cm vanity basin can be fitted.



## Drawing 5 right

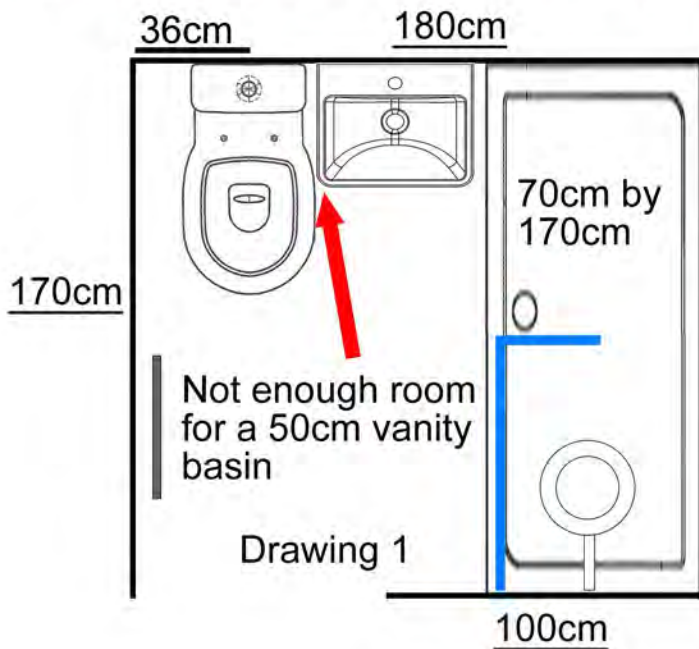
If the shower enclosure is 80cm into the room, then bathroom fitted furniture offering maximum storage can be fitted. That space can also be used to fit a combined vanity toilet and basin with cupboard units.



The two images above show bathrooms that have been converted to a shower room and fitted with a combined vanity toilet, basin and cupboard units.

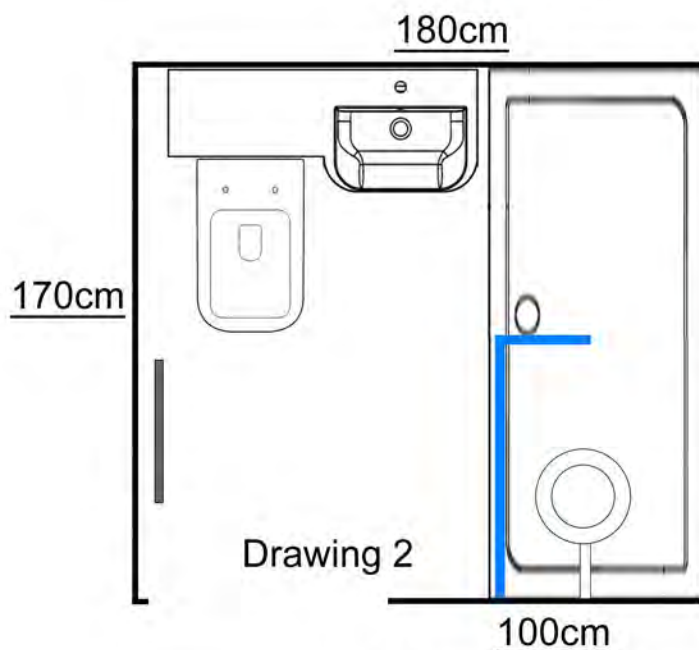
Images are for illustration purposes only and are not to scale.

# Convert to Walk In Shower Room



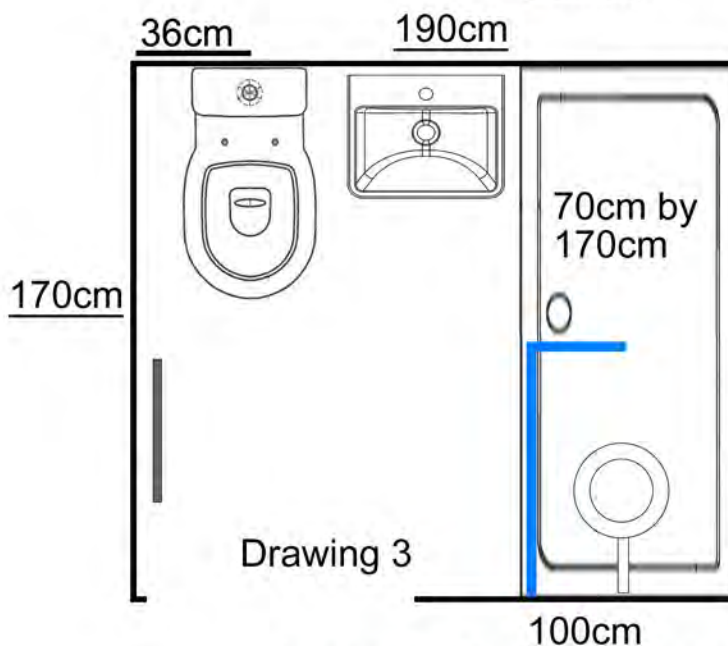
Drawing 1 right

If the room is 180cm wide with a 70cm Walk In shower tray, there is **not enough room to fit a 50cm vanity basin** as shown in image. It will not leave enough space between the basin and toilet. However a pedestal basin and toilet can be fitted.



Drawing 2 right

If the bathroom is 180cm wide the combined 'Match' vanity unit measuring 1000mm will fit offering storage. Alternatively a pedestal basin and toilet can be fitted.



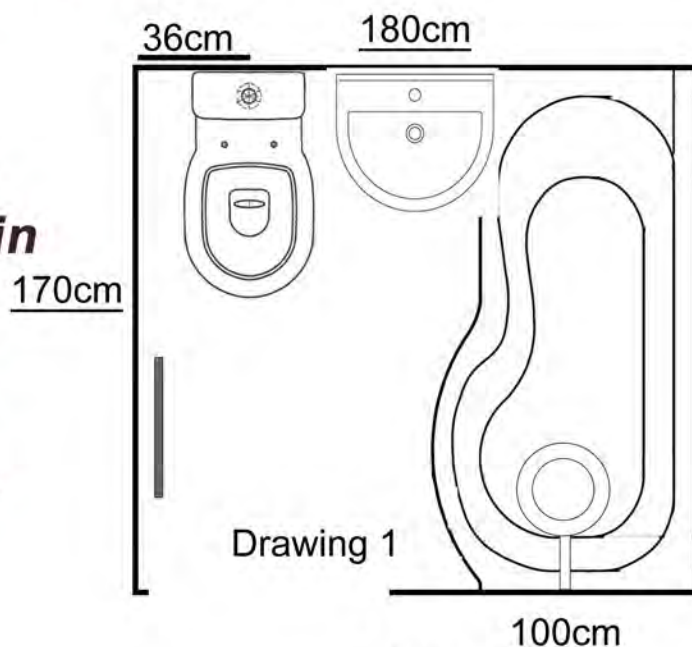
Drawing 3 right

If the bathroom is 190cm wide a 50cm stand alone vanity basin will fit. The Tavistock 'Compass', 'Cadene' or 'Opal' vanity units measure 50cm wide. Alternatively a pedestal basin and toilet can be fitted.

# Shower Baths

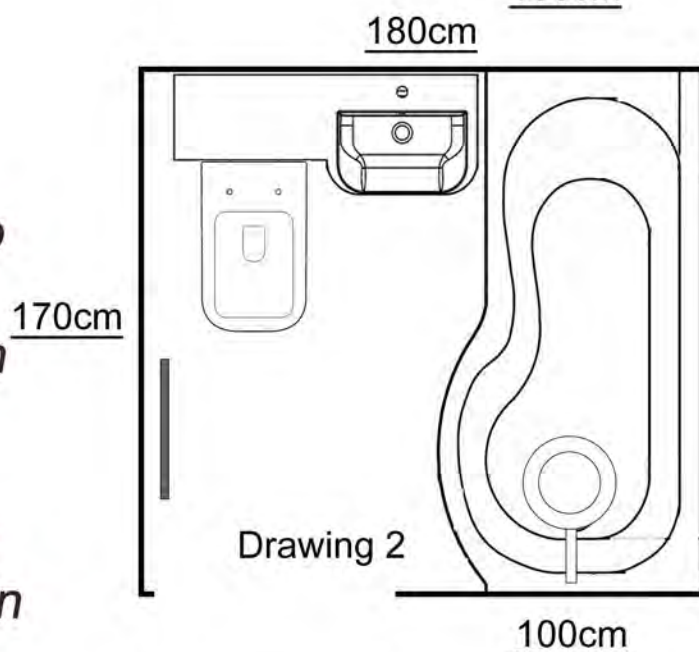
## Drawing 1 right

In a bathroom 180cm wide, a stand alone **50cm vanity basin will not fit**. However, a pedestal basin and toilet can be fitted. A compact 70cm P Shaped bath or 70cm straight bath are most suited in this space.



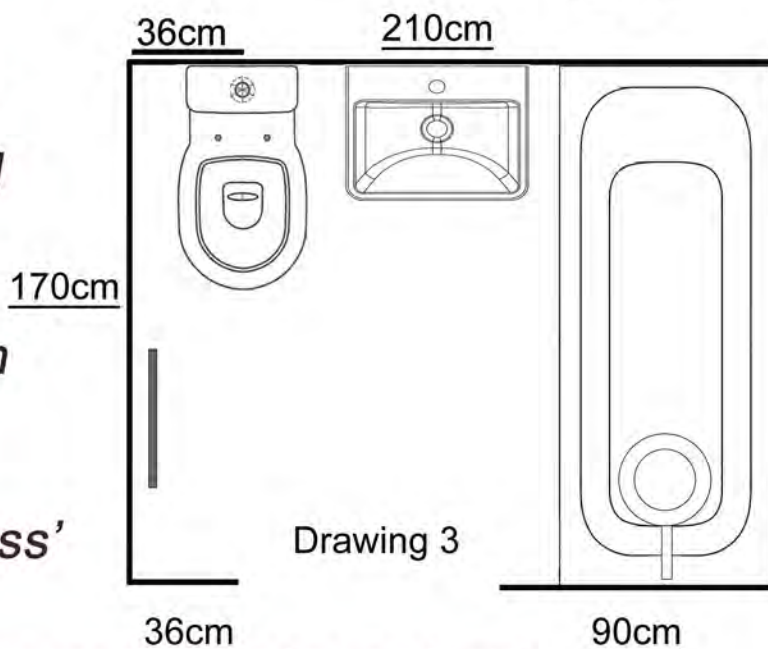
## Drawing 2 right

A 'Match' combined vanity basin and toilet unit will fit into a bathroom 180cm or wider. We would not recommend an L Shaped shower bath in a room this size. A compact 70cm P Shaped bath or 70cm straight bath are most suited in this space.



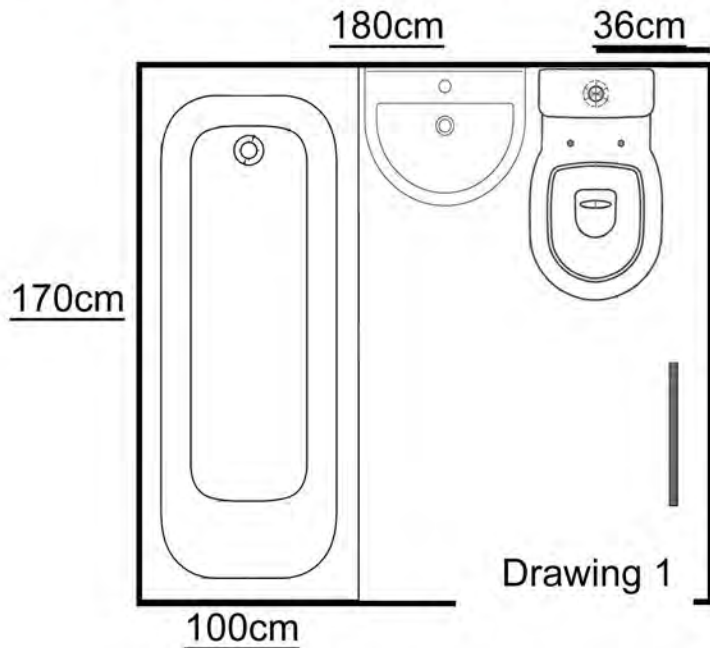
## Drawing 3 right

A bathroom 210cm wide will allow for a shower bath, separate toilet and vanity basin measuring up to 60cm wide. Either the Tavistock 'Opal', 'Courier', 'Q60', 'Cadence', 'Tempo', 'Compass' would fit in this space.



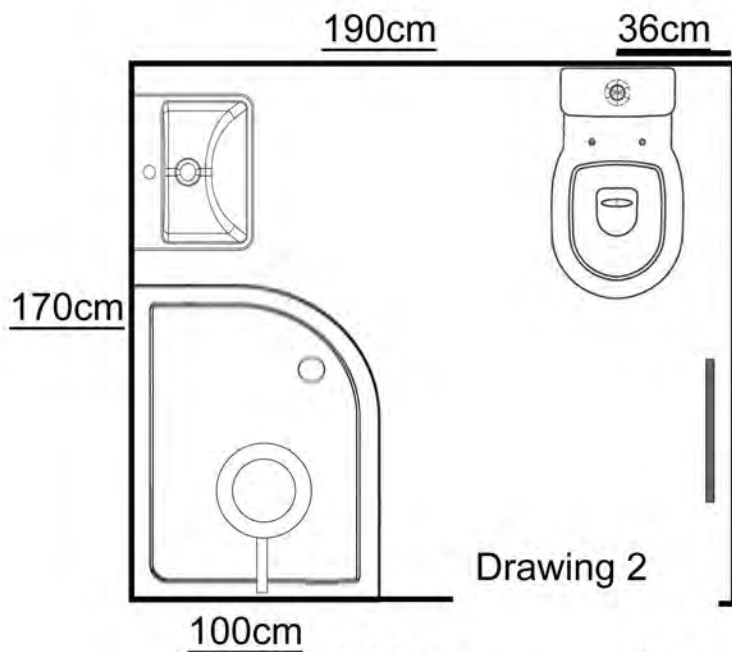
Images are for illustration purposes only and are not to scale.

# Convert Bathroom to Shower Room



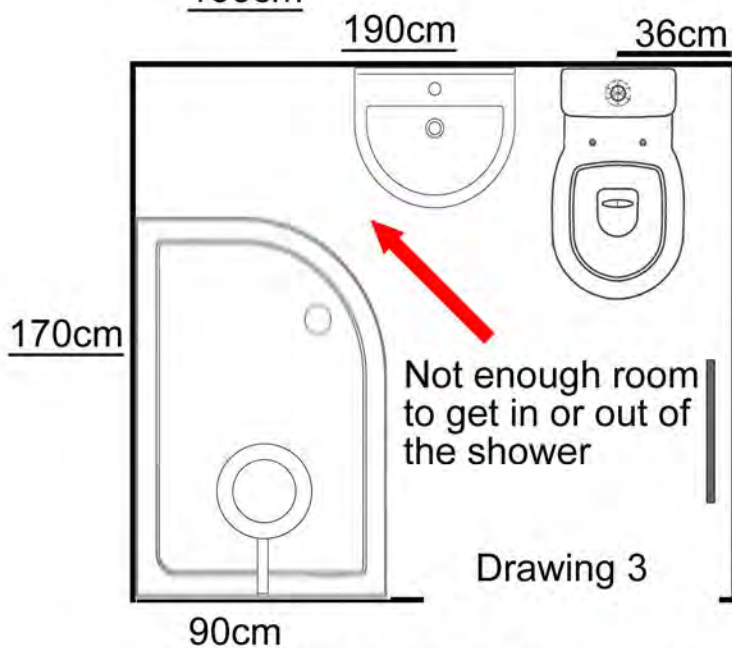
## Normal Bathroom

*This is a standard family bathroom. The size is shown as 190cm wide by 170cm long. The distance between the left hand wall and the door architrave is 100cm. Wall to centre of the toilet is 36cm.*



## Drawing 2 left

*An 80cm by 100cm shower tray is used and the space created at the end of the shower allows the basin to be relocated. A vanity basin no bigger than 50cm can be fitted. Alternatively a pedestal basin could be fitted.*



## Drawing 3 left

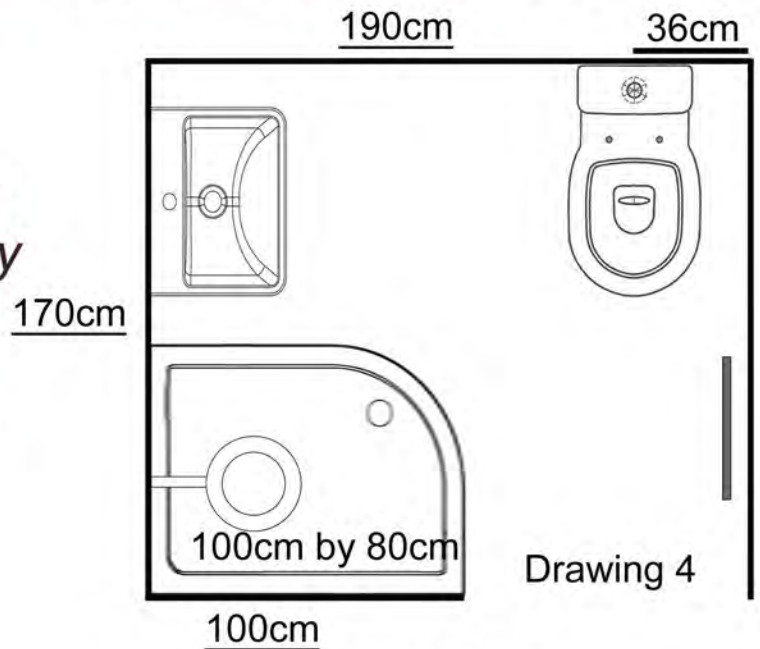
*An 80cm by 120cm shower tray is used. **There is not enough space to allow the basin to be moved. There is not space to allow access in and out of the shower enclosure.** This shower is too big for this room. A shower up to 100cm fits.*



# Convert Bathroom to Shower Room

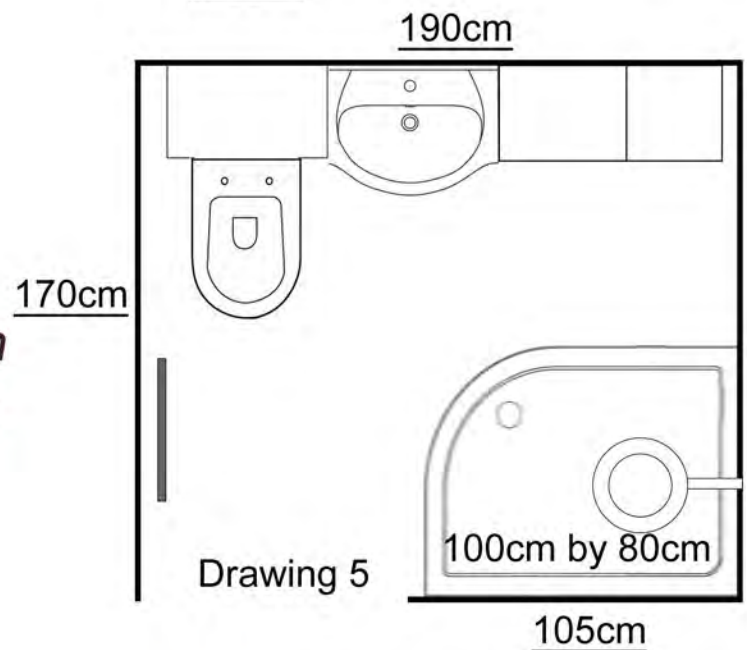
## Drawing 4 left

Using the space between the door and the wall, an 80cm by 100cm shower tray is used creating more space in the basin area. A 50cm or 60cm vanity basin can be fitted.



## Drawing 5 left

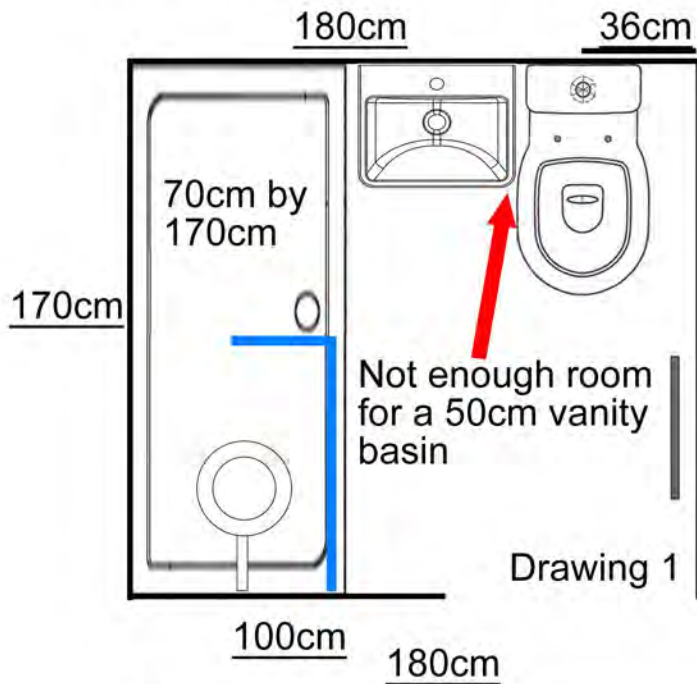
If the shower enclosure is 80cm into the room, then bathroom fitted furniture offering maximum storage can be fitted. That space can also be used to fit a combined vanity toilet and basin with cupboard units.



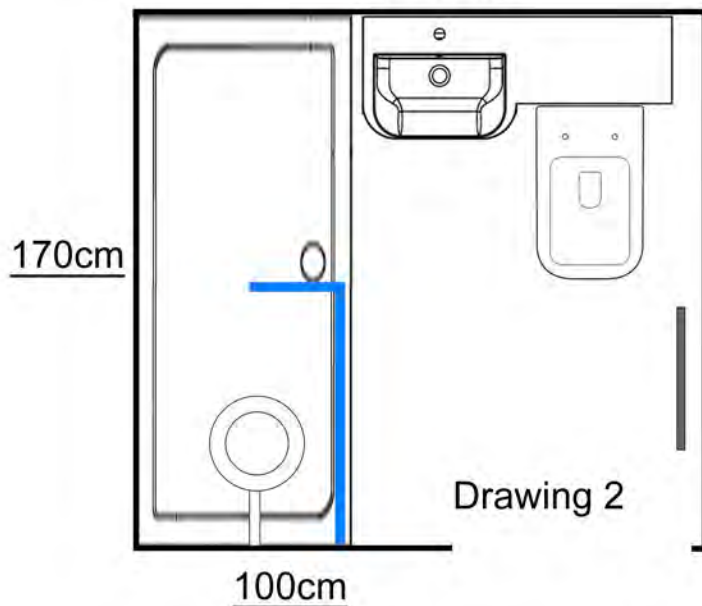
The two images above show bathrooms that have been converted to a shower room and fitted with a combined vanity toilet, basin and cupboard units.

*Images are for illustration purposes only and are not to scale.*

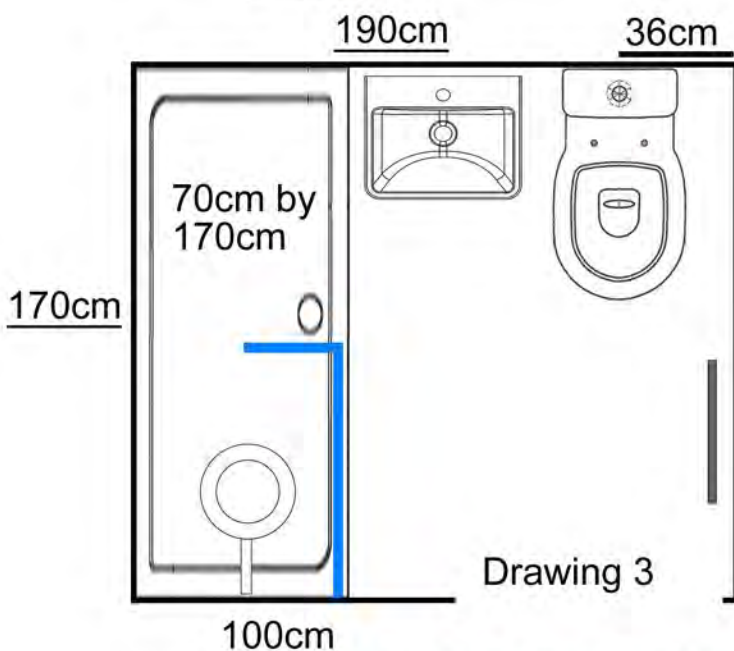
# Convert to Walk In Shower Room



Drawing 1 left  
If the room is 180cm wide with a 70cm Walk In shower tray, there is **not enough room to fit a 50cm vanity basin** as shown in image. It will not leave enough space between the basin and toilet. However a pedestal basin and toilet can be fitted.



Drawing 2 left  
If the bathroom is 180cm wide the combined 'Match' vanity unit measuring 1000mm will fit offering storage. Alternatively a pedestal basin and toilet can be fitted.

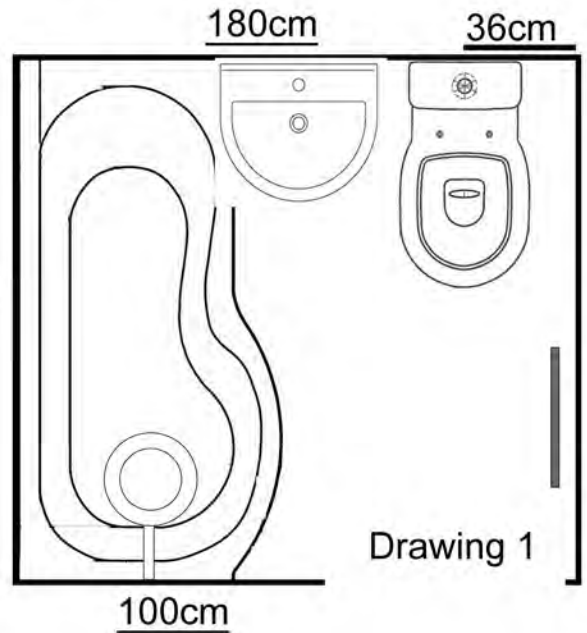


Drawing 3 left  
If the bathroom is 190cm wide a 50cm stand alone vanity basin will fit. The Tavistock 'Compass', 'Cadene' or 'Opal' vanity units measure 50cm wide. Alternatively a pedestal basin and toilet can be fitted.

# Shower Baths

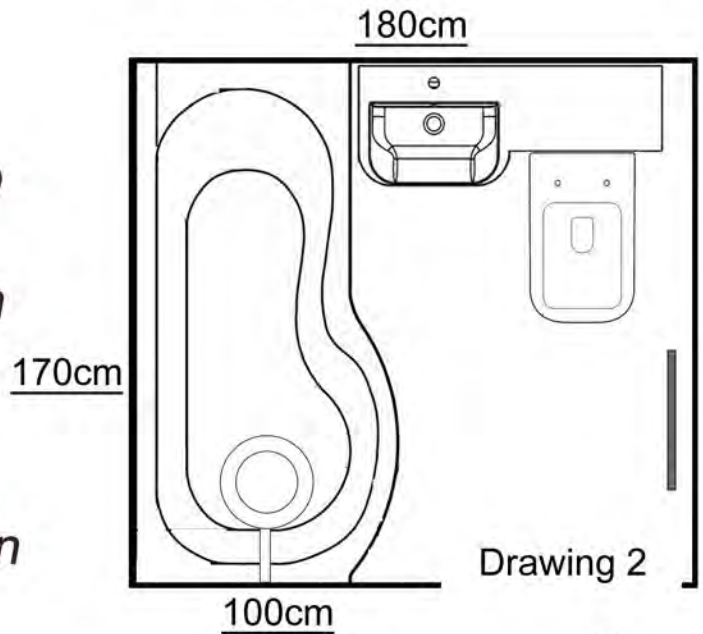
## Drawing 1 left

In a bathroom 180cm wide, a stand alone **50cm vanity basin will not fit**. However, a pedestal basin and toilet can be fitted. A compact 70cm P Shaped bath or 70cm straight bath are most suited in this space.



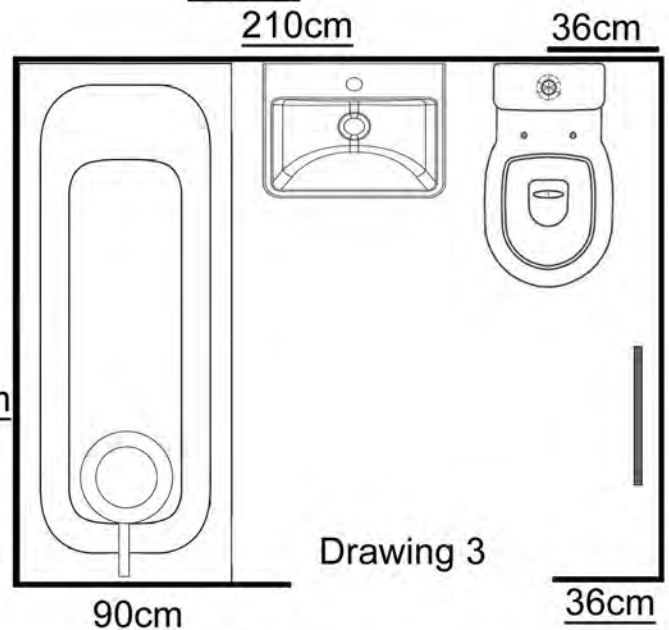
## Drawing 2

A 'Match' combined vanity basin and toilet unit will fit into a bathroom 180cm or wider. We would not recommend an L Shaped shower bath in a room this size. A compact 70cm P Shaped bath or 70cm straight bath are most suited in this space.



## Drawing 3

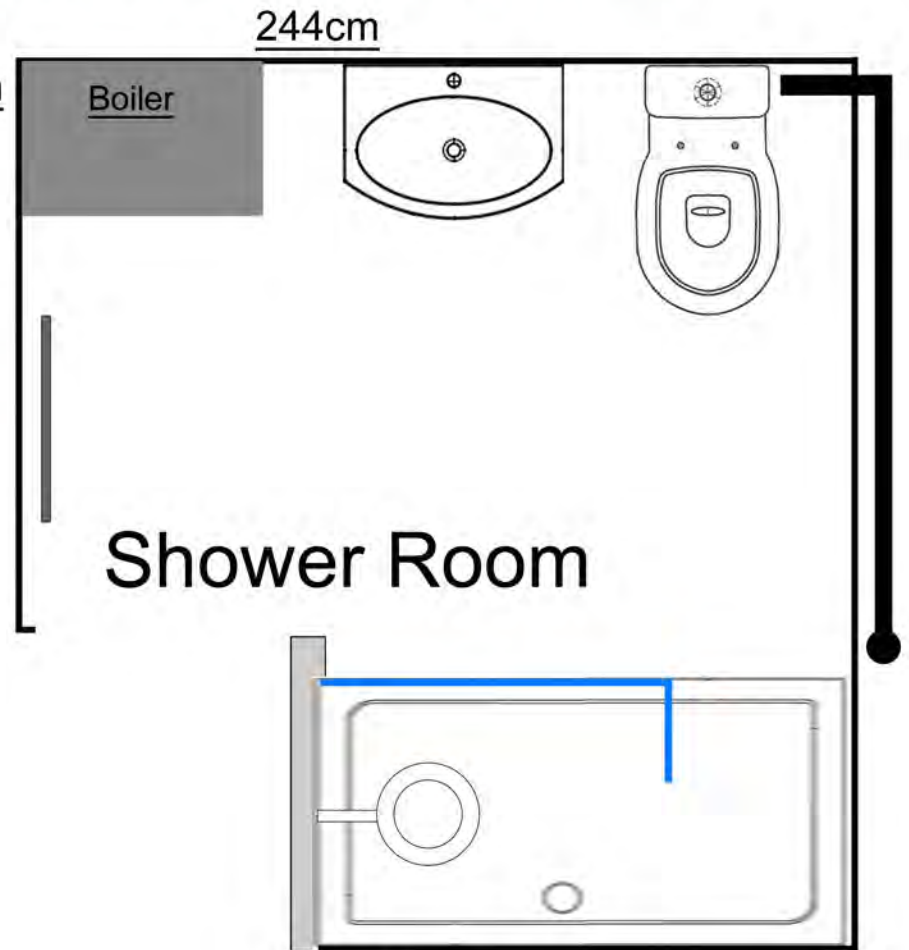
A bathroom 210cm wide will allow for a shower bath, separate toilet and vanity basin measuring up to 60cm wide. Either the Tavistock 'Opal', 'Courier', 'Q60', 'Cadence', 'Tempo', 'Compass' would fit in this space.



# Bathroom wall removed

## Shower room

By removing the separating wall and relocating the toilet, we have been able to create a much larger bathroom with a walk in shower.

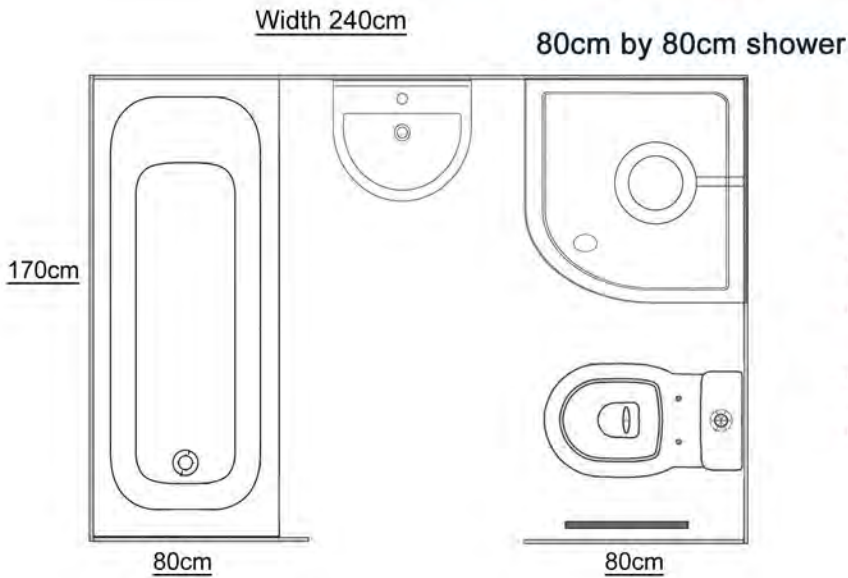


## Bath and Shower

It is possible to fit both a bath and shower into the same location. In this drawing we have used a quadrant shower that has freed up space to allow for bathroom storage.

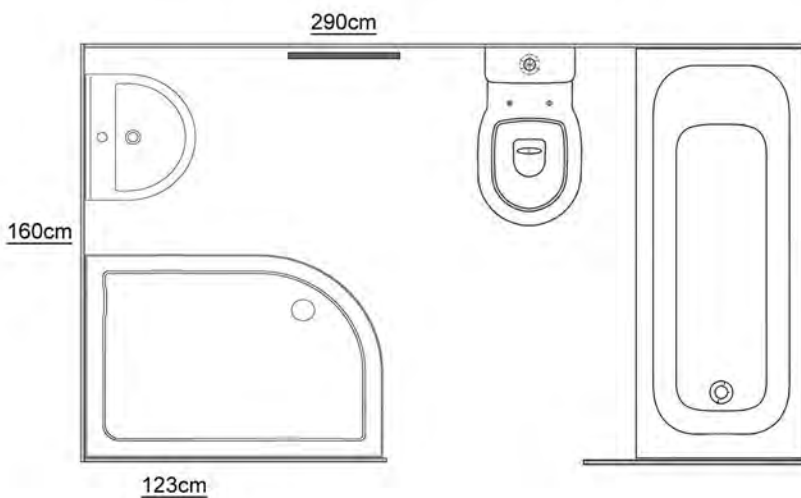


# changing the Layout



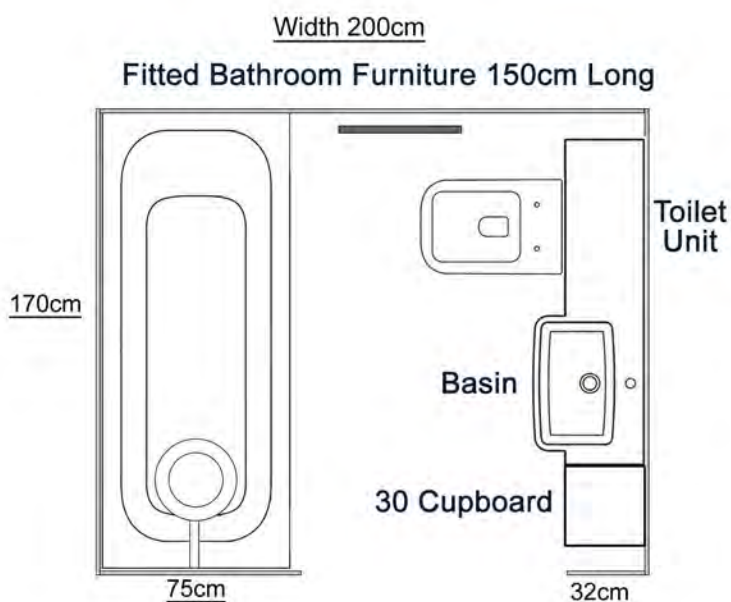
## Bath and Shower

A bathroom measuring 240cm by 170cm is large enough to fit both a bath and separate shower enclosure.



## Bath and Shower

This bathroom has a large shower enclosure measuring 120cm long. The bathroom is 290cm long.



## Basin opposite the Bath

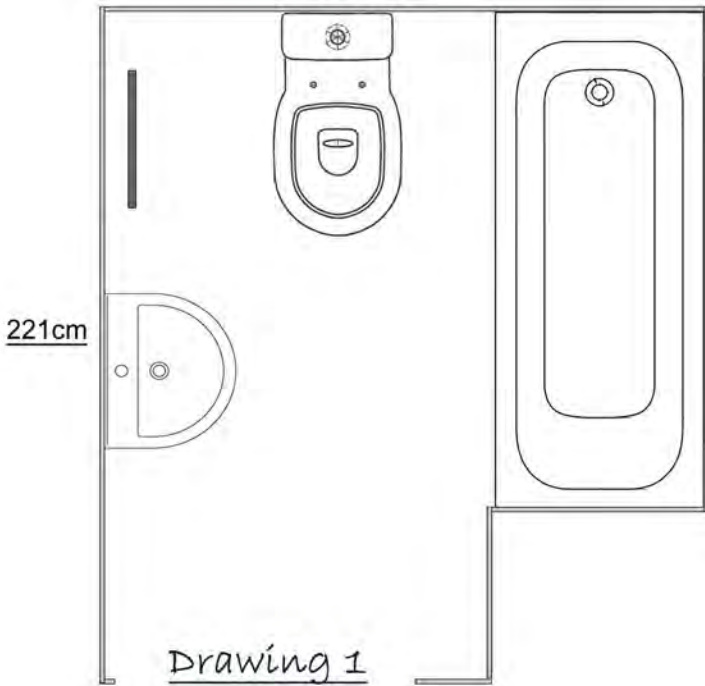
It is possible to change the orientation of the basin and toilet to the opposite wall to the bath, though there needs to be sufficient space between the wall and door of 32cm or more.

# Bathroom with airing cupboard

*This is a bathroom in a newly built home. The bathroom is attached to an airing cupboard. The airing cupboard is at the end of the bath. The basin can be opposite the bath or next to the toilet.*

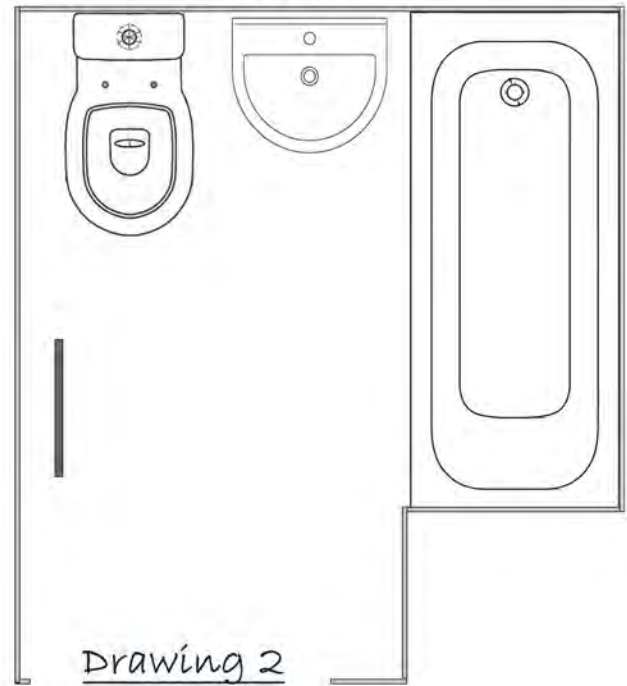
Drawing 1

198cm

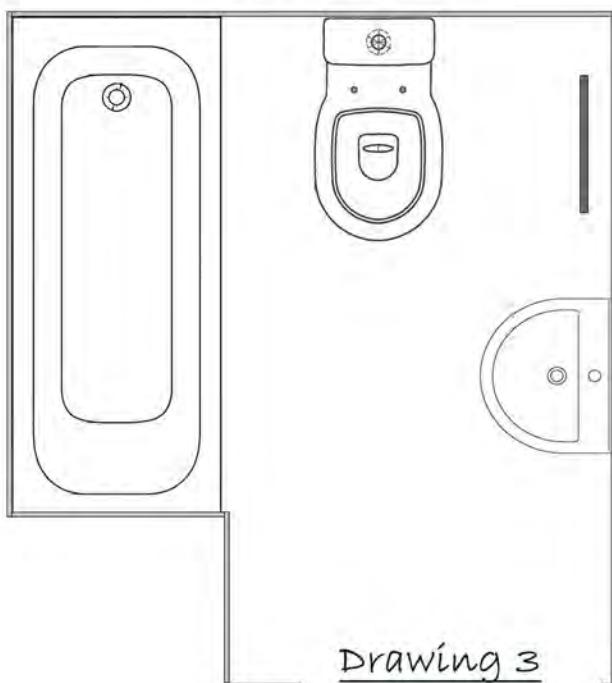


Drawing 2

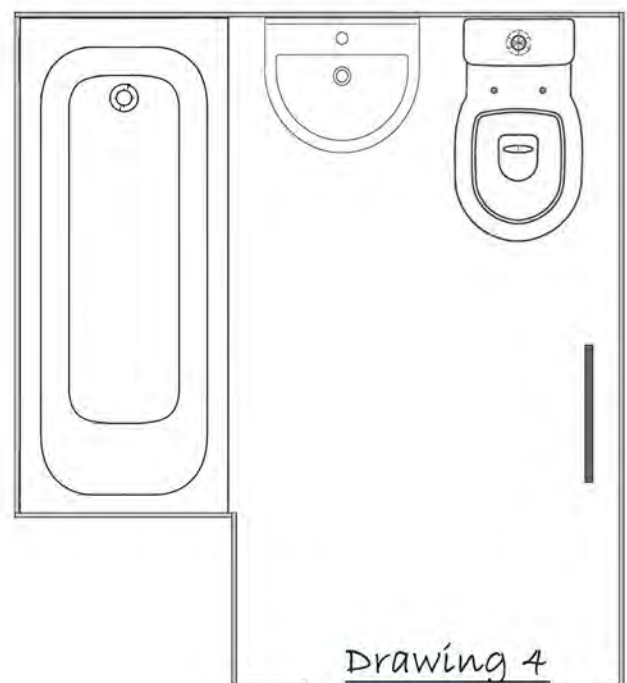
198cm



Drawing 3



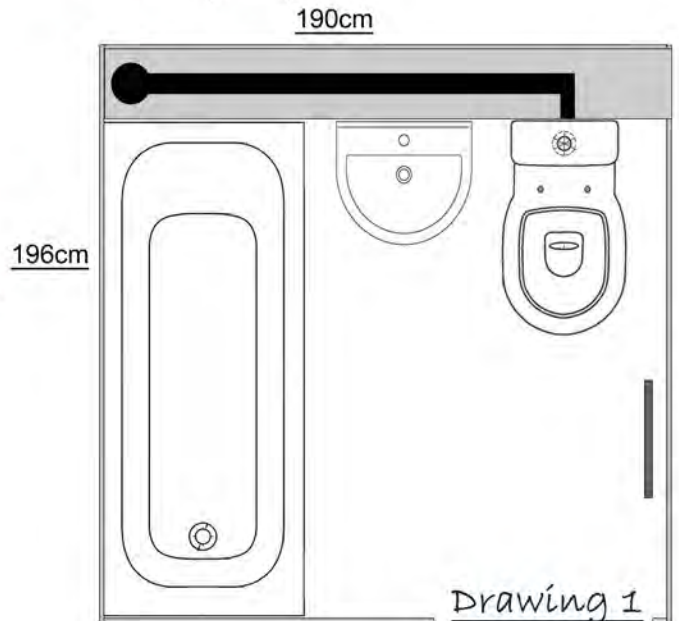
Drawing 4



# Internal Soil Pipe

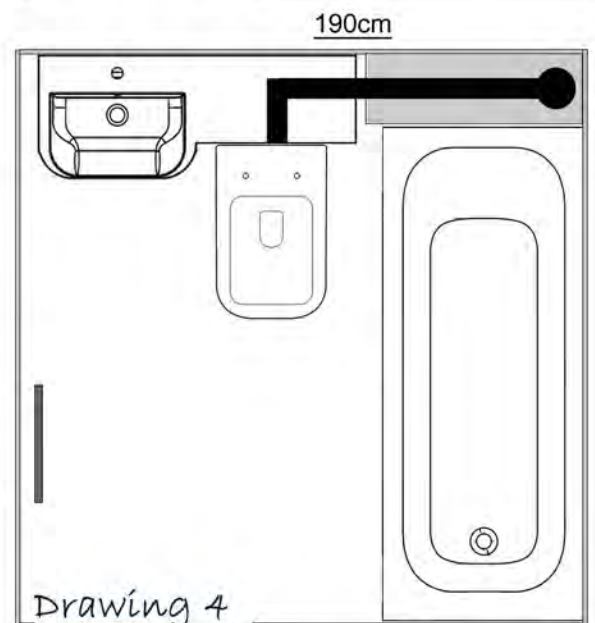
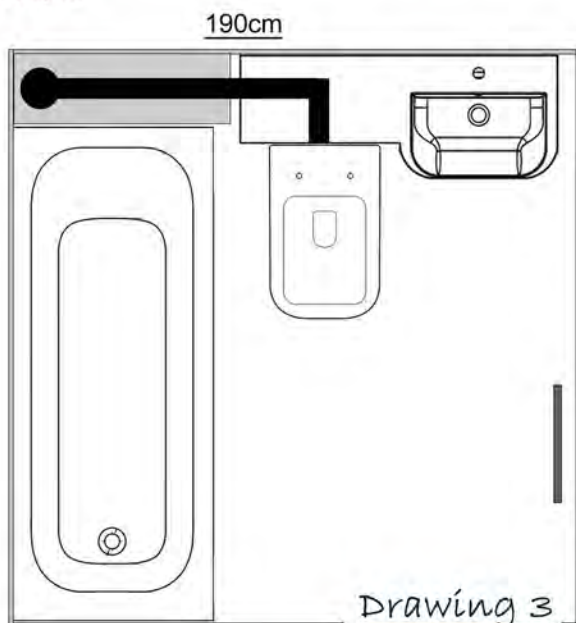
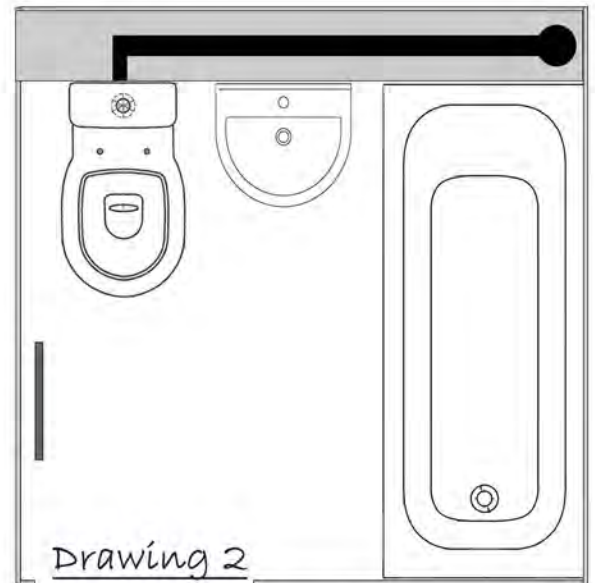
## Drawings 1 and 2

The soil pipe is internal. The area behind the window is boxed in to hide the soil pipe. In this example the soil pipe runs behind the basin and behind the bath.



## Drawings 3 and 4

To remove the boxed area to create more floor space and fit a combined vanity basin unit, the toilet has been moved to the original position of the basin. This allows for the soil pipe to run from the toilet to the soil stack without taking up the storage space in the vanity unit.





Any electrical work will be listed on the bathroom quote. The Electrical work will be invoiced separately by the electrician.

In accordance with present regulations, if any electrical work is carried out in your bathroom, the consumer unit circuit to the bathroom must have 30mA rcd protection. Your water and gas services must have a main bond (must be correctly earthed). If the house does not meet these regulations, work would need to be carried out to meet them prior to any other electric work being carried out.

4 LED Ceiling Lights



Manrose Quiet Fan



Double Light Switch/Fan



Charger Socket



Light Switch Pull Chord



Fit Wiring For Bathroom Cabinet



RCD Spur Unit



Isolate Redundant Electrics

10mm cable for shower installation from the consumer unit to the bathroom £400